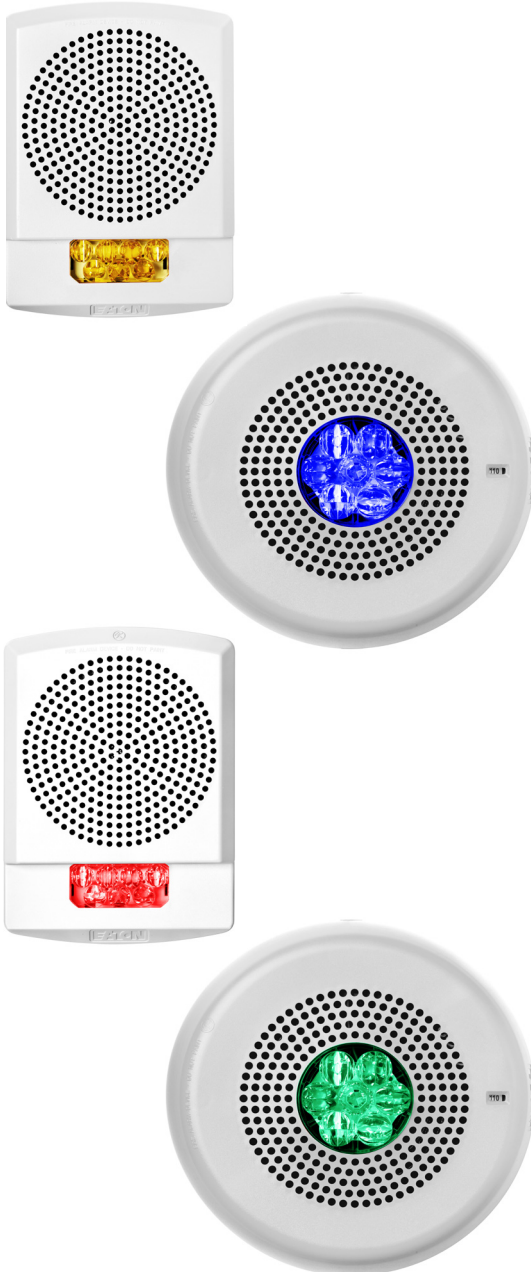


Eluxa colored lens multitone horns & horn strobes



Description

Providing eight (8) alerting sounds in a single device, the Wheelock Eluxa colored lens multitone horn strobes will meet most of your signaling needs. The nationally and internationally recognized alerting sounds include Horn, Bell, March Time Horn, Code-3 Tone, Code-3 Horn, Slow Whoop, Siren or Hi/Lo Tone. The Code-3 horn and tone patterns are engineered to comply with NFPA/ANSI Temporal Pattern specifications without requiring additional equipment. The multitone horn strobe models include an advanced power saving LED technology with a full range of candela settings for indoor wall and ceiling-mount applications. The Eluxa multitone horn strobes are available with amber, blue, red, or green lens.

High efficiency, LED technology

Eaton's high energy efficient technology leads the industry in lowest current draw across the full candela range, which reduces overall power consumption and costs in fire alarm systems. As the first notification appliances in the industry to utilize LED as the light source, this breakthrough design, resulting in best-in-class efficiency, enables material and system cost savings, allowing for a greater number of appliances on the notification appliance circuit and fewer power supplies.

Wall models: Amber lens strobe models feature six candela settings: 15, 30, 75, 110, 135, 185 cd. Blue and red lens strobes feature 5, 10, 20, 30, 40, 50 cd settings. **Ceiling models:** Amber lens strobe models feature 15, 30, 75, 110, 150, 177 cd. Blue lens strobes feature 5, 12, 30, 40, 50, 65 cd settings. Red and green lens strobes feature 4, 8, 18, 25, 35, 45 cd settings. See separate data sheet for clear lens specifications.

Low profile design and rich feature set

Eluxa is feature rich with 6 candela settings in 1 device, two sound output levels: Standard dBA and High dBA, and pre-wire/pre-test via mounting plate with hinged feature for ease-of-installation. These products are suitable for indoor wall and ceiling mount applications. ELMTS is for 24V operation. All models may be used with filtered or unfiltered (full-wave-rectified) input voltages. Separate input terminals and shunt wires are provided to enable both audible and strobe to operate simultaneously from a single input or from two inputs using 4 wires.

Approvals and synchronization

The Eluxa notification appliances are listed under UL Standards 1638 and 464 and under CAN/ULC-S525 and CAN/ULC-S526. The appliances are Restriction of Hazardous Substances (RoHS) compliant and contain no mercury or other hazardous substances.

In addition, the Eluxa product line has been UL/ULC listed as compatible with all Fire Alarm Control Panels (FACP) and accessories that have been determined to be compatible with Exceder LED3 and Wheelock RSS strobe-based products, including the RSS, CH, E, EH, ET, ST, HS, MT, S8, SA, STH and Z Series. The listing also includes the ability to install the Eluxa strobes in the same notification zone and field of view with any Wheelock RSS strobe models making them backward compatible with our installed base of existing notification devices.

EATON

Powering Business Worldwide

Features

- 8 signals in 1 device to provide superior sound penetration for various ambient conditions
 - Horn, Bell, March Time Horn, Code-3 Tone, Code-3 Horn, Slow Whoop, Siren or Hi/Lo Tone
- 2 field selectable sound output levels: Standard and High
- Code-3 horn and tone meet ANSI/NFPA temporal pattern for standard emergency evacuation signaling
- Audible and strobe can operate from a single NAC circuit or from separate NAC circuits with any of the (8) eight audible sounds
- Lens colors available: Amber, blue, red and green
- Energy Efficient
 - LED technology provides industry's lowest current draw
 - Fewer power supplies required, smaller wire gage, reduced wire runs
- Low-Profile Design
 - Small footprint with sleek, modern aesthetics
- 6 Field Selectable Candela Settings in 1 Device
 - Amber Lens Wall: 15, 30, 75, 110, 135, 185 cd
 - Amber Lens Ceiling: 15, 30, 75, 110, 150, 177 cd
 - Red and Blue Lens Wall- 5, 10, 20, 30, 40, 50 cd
 - Blue Lens Ceiling- 5, 12, 30, 40, 50, 65 cd
 - Red and Green Lens Ceiling- 4, 8, 18, 25, 35, 45 cd
- Easy-to-Install
 - Mounting plate included with all models: Convenient capture hinge allows installers to easily hold the device while fastening the single-mount screw in place.
 - Pre-wire/pre-test capability to check for wiring and ground faults prior to appliance installation
 - DIP switch for tone and volume settings
 - Built-in level adjustment feature and snap-on grille cover
 - IN/OUT screw terminals provided for #12 to #18 AWG wires
 - Mounting options include ELSPKBB backboxes and 4" square, 2 1/8" deep backboxes for wall models and LSPKBB-C backboxes and 4" square, 2 1/8" deep backboxes for ceiling models.
- Strobe Synchronization
 - Meet synchronizing standards with Wheelock's DSM Sync Modules, PS Power Supplies or SAFEPATH products
 - Ability to mix xenon and LED strobes in the same field of view
- Compliance
 - NFPA 72 2016 - 20 ms flash duration requirements
 - UL 1628, UL 464, ULC-S525, ULC-S526
 - Factory Mutual (FM)
 - California State Fire Marshal (CSFM)
 - ADA/NFPA/ANSI/OSHA

General Notes

- Strobes are designed to flash at 1 flash per second minimum over their "Regulated Voltage Range." Note that NFPA-72 specifies a flash rate of 1 to 2 flashes per second and ADA Guidelines specify a flash rate of 1 to 3 flashes per second.
- All candela ratings represent minimum effective strobe intensity based on UL 1638.

Drawings

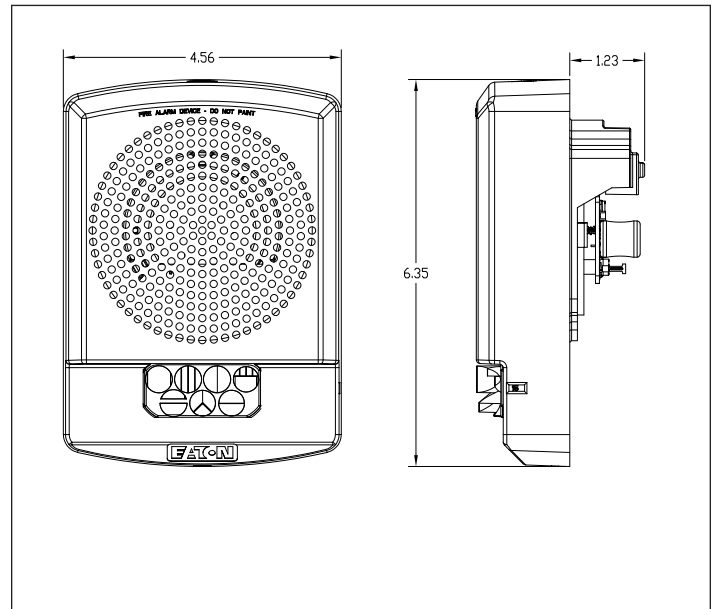


Figure 1. Wall multitone strobe

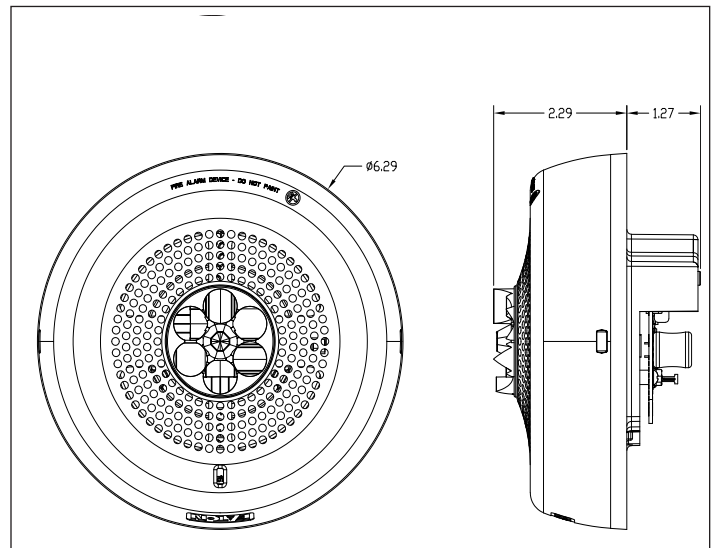
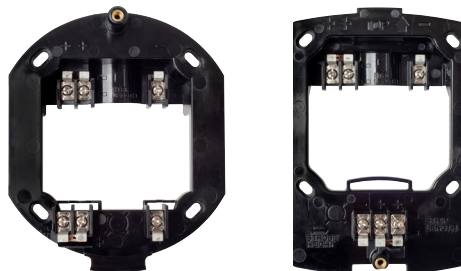


Figure 2. Ceiling multitone strobe

Mounting plate images



Note: Please read these specifications and associated installation instructions, before using, specifying, or installing this product. Visit Eaton.com/Lifesafetynotification for current installation instructions.

Table 1. Strobe ratings (Must add Alarm Tone current for combination.)

Amber lens Model	Regulated Voltage Range VDC	UL/ULC Max Current ①							
		24VDC							
		15	30	75	110	135	150	177	185
ELMTS-NA	16.0-33.0	0.022	0.030	0.060	0.086	0.125			
ELMTSC-NA	16.0-33.0	0.022	0.030	0.060	0.086		0.125	0.185	0.185

Colored lens Model	Regulated Voltage Range VDC	UL/ULC Max Current ①												
		4	5	8	10	12	20	25	30	35	40	45	50	65
ELMTS-B/R	16.0-33.0		0.022		0.030		0.060		0.086		0.125		0.185	
ELMTSC-B	16.0-33.0		0.022			0.030		0.060		0.086		0.125	0.185	0.185
ELMTSC-R/G	16.0-33.0	0.022		0.030		0.060		0.086		0.125		0.185		

Table 2. Maximum RMS current for audibles (VDC)

Alarm Tones	24 VDC	
	HI Output	STD Output
Horn	0.108	0.044
Bell	0.053	0.024
March Time Horn	0.104	0.087
Code-3 Horn	0.122	0.035
Code-3 Tone	0.135	0.035
Slow Whoop	0.098	0.037
Siren	0.104	0.036
HI/LO	0.057	0.025

Maximum RMS current for audibles (FWR)

Alarm Tones	24 FWR	
	HI Output	STD Output
Horn	0.087	0.045
Bell	0.067	0.028
March Time Horn	0.087	0.045
Code-3 Horn	0.087	0.045
Code-3 Tone	0.110	0.029
Slow Whoop	0.092	0.042
Siren	0.092	0.040
HI/LO	0.063	0.032

Table 3. dBA for Multitone Audible Portion

Alarm Tones	Wall UL Reverberant dBA at 10 Feet		Ceiling UL Reverberant dBA at 10 Feet	
	24 VDC			
	HI Output	STD Output	HI Output	STD Output
Horn	91	86	86	80
Bell	83	76	80	72
March Time Horn	88	83	82	77
Code-3 Horn	87	82	81	76
Code-3 Tone	85	80	79	74
Slow Whoop	90	84	85	79
Siren	89	84	85	79
HI/LO	88	84	85	81

Alarm Tones	Wall ULC Anechoic dBA at 10 Feet		Ceiling ULC Anechoic dBA at 10 Feet	
	24 VDC			
	HI Output	STD Output	HI Output	STD Output
Horn	99	93	97	91
Bell	89	81	90	82
March Time Horn	99	93	93	88
Code-3 Horn	99	93	97	91
Code-3 Tone	95	90	88	83
Slow Whoop	99	94	95	89
Siren	98	93	95	89
HI/LO	93	88	91	86

Table 4. Specification & Ordering Information

Model	Strobe Candela	Lens color	Red	White	Lettering	Wall/Ceiling	Sync w/ DSM or Wheelock Power Supplies
Multitone strobes							
ELMTSW-NA	15/30/75/110/135/185	Amber		X	No lettering	Wall	X
ELMTSWC-NA	15/30/75/110/150/177	Amber		X	No lettering	Ceiling	X
ELMTSW-NB	5/10/20/30/40/50	Blue		X	No lettering	Wall	X
ELMTSWC-NB	5/12/30/40/50/65	Blue		X	No lettering	Ceiling	X
ELMTSR-NR	5/10/20/30/40/50	Red	X		No lettering	Wall	X
ELMTSW-NR	5/10/20/30/40/50	Red		X	No lettering	Wall	X
ELMTSWC-NR	4/8/18/25/35/45	Red		X	No lettering	Ceiling	X
ELMTSWC-NG	4/8/18/25/35/45	Green		X	No lettering	Ceiling	X
Backboxes							
ELSPKBB-R			X			Wall	
ELSPKBB-W				X		Wall	
LSPKBB-CW				X		Ceiling	

① RMS current ratings are per UL maximum RMS method. UL max current rating is the maximum RMS current within the listed voltage range (16-33v for 24v units). For strobes the UL max current is usually at the minimum listed voltage (16v for 24v units). For audibles the max current is usually at the maximum listed voltage (33v for 24v units). For unfiltered FVWR ratings, see installation instructions.

Table 5. Specifications

Physical	
Material	Red or white textured, colored impregnated engineered plastic. 94V-0 UL flammability rating
Weight	Wall multitone strobe: 0.58lbs (265g); Ceiling multitone strobe: 0.70lbs (318g); Speaker Backbox: .44 lb (200g)
Lens	Light Emitting Diode (LED) in a rugged Lexan lens
Dimensions	ELMTS: 6.35”H x 4.56” W x 1.54” D; ELMTSC: 6.27” Diameter x 2.29” Depth
Operating Temperature	Indoor: 32°F to 122°F (0°C to 50°C) and maximum humidity of 93%
Mounting & Wire Connections	
Mounting (indoor only)	Mounting plate included with all models. ELMTS multitone strobes are for wall-mount applications only. ELMTSC are for ceiling-mount applications. Mounting options include ELSPKBB backboxes and 4” square, 2 1/8” deep backboxes for wall models and LSPKBB-C backboxes and 4” square, 2 1/8” deep backboxes for ceiling models.
Wire Connections	#12 through #18 AWG
Power & General	
Operating voltage	24VDC/24VFWR
Strobe Output Rating	Light output meets UL 1638; ULCS526; Amber lens: Selectable 15, 30, 75, 110, 135, 185 candela output for wall models; Selectable 15, 30, 75, 110, 150, 177 candela output for ceiling models. Blue or red lens: Selectable 5, 10, 20, 30, 40, 50 cd for wall models. Blue lens: Selectable 5, 12, 30, 40, 50, 65 cd for ceiling models. Red or Green: Selectable 4, 8, 18, 25, 35, 45cd for ceiling models.
Synchronization Models	Strobes can be synchronized with Wheelock’s DSM Sync Modules, PS Power Supplies or SAFEPATH products, using Wheelock patented sync protocol

Architects and Engineers Specifications

The multitone appliances shall be Wheelock® ELMTS colored lens multitone strobes for wall-mount applications and ELMTSC colored lens multitone strobes for ceiling-mount applications with a low-profile design or approved equals. Notification appliance shall be electronic and use solid state components. Electromechanical alternatives are not approved. Each electronic appliance shall provide eight (8) field selectable alarm tones. The tones shall consist of: HORN, BELL, MARCH TIME HORN, CODE-3 HORN, CODE-3 TONE, SLOW WHOOP, SIREN and HI/LO. Tone selection shall be by dip switch. The multitones shall be UL Listed under Standard 464 for Audible Signal Appliances and multitones equipped with strobes shall be listed under UL Standard 1638.

The audible and the strobe shall be able to operate from a single NAC circuit or two independent circuits. The appliance shall provide two output sound levels: STANDARD and HIGH dBA. The HIGH dBA setting shall provide a typical 5 dBA increase in sound output at nominal voltage. The HIGH anechoic dBA at 10 feet on the alarm HORN SETTING shall be 99 dBA. Operating voltages shall be 24 VDC, using filtered power or unfiltered power supply (full-wave-rectified). All models shall have provisions for standard reverse polarity type supervision and IN/OUT field wiring using terminals that accept #12 to #18 AWG wiring.

The series ELMTS/ELMTSC multitone strobe appliances shall produce a flash rate of one (1) flash per second over the Regulated Voltage Range and shall incorporate a Light Emitting Diode (LED) as the light source with a rugged Lexan® lens. The series shall be of low current design. The LED strobe flash duration shall be 20 ms. The amber lens strobe shall have 6 field selectable settings at 15, 30, 75, 110, 135 and 185 candela for wall mount applications and 15, 30, 75, 110, 150 and 177 for ceiling applications. The blue and red lens strobes shall have 6 field selectable settings at candela for wall

Note: Due to continuous development of our products, specifications and offerings are subject to change without notice in accordance with Cooper Wheelock Inc., dba Eaton standard terms and conditions.



WE ENCOURAGE AND SUPPORT NICET CERTIFICATION
3 YEAR WARRANTY



Eaton
1000 Eaton Boulevard
Cleveland, OH 44122
United States
Eaton.com

Life safety & mass notification solutions
273 Branchport Ave.
Long Branch, NJ 07740
Eaton.com/Lifesafetynotification

5, 10, 20, 30, 40, and 50 candela for wall mount applications. For ceiling mount applications: blue lens strobe shall have 6 settings at 5, 12, 30, 40, 50, 65 cd; and red and green lens strobes shall have 6 settings at 4, 8, 18, 25, 35, 45 cd. The selector switch for selecting the candela shall be tamper resistant. Appliances with candela settings shall show the candela selection in a visible location at all times when installed.

The multitones shall be designed for indoor surface or flush mounting and include a mounting plate. Mounting options shall include ELSPKBB backboxes and 4” square, 2 1/8” deep backboxes for wall models and LSPKBB-C backboxes and 4” square, 2 1/8” deep backboxes for ceiling models. The multitone strobe shall incorporate a mounting plate with a snap-on grille cover and shall mount to standard electrical hardware requiring no additional trimplate or adapter. Removal of an appliance shall result in a supervision fault condition by the Fire Alarm Control Panel (FACP). All notification appliances shall be backwards compatible.

The ELMTS wall model shall have a low profile measuring 6.35” H x 4.56” W x 1.54” D. The ELMTSC ceiling models shall have a low profile measuring 6.27” diameter and 2.29” D. Finish shall be red or white. Special lettering and amber, red, blue and green lens models shall be available.

When synchronization is required, the appliance shall be compatible with Wheelock’s DSM Sync Modules, PS Power Supplies, SAFEPATH products or other manufacturer’s panels with built-in Wheelock Patented Sync Protocol. The strobes shall not drift out of synchronization at any time during operation. If the sync protocol fails to operate, the strobe shall revert to a non-synchronized flash-rate and still maintain (1) flash per second over its Regulated Voltage Range. Multitone may be synchronized using Code 3 Horn setting and Wheelock Sync (DSM or PS).

UL 1638, UL 464, ULC-S525, ULC-S526, CSFM, FM, FCC, ICES

© 2023 Eaton
All Rights Reserved
Printed in USA
Publication No. TD450182EN
December 2022
Eaton is a registered trademark.

All other trademarks are property of their respective owners.